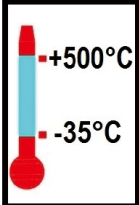
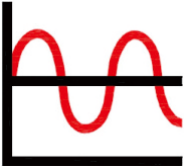
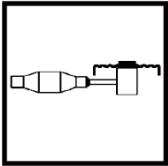


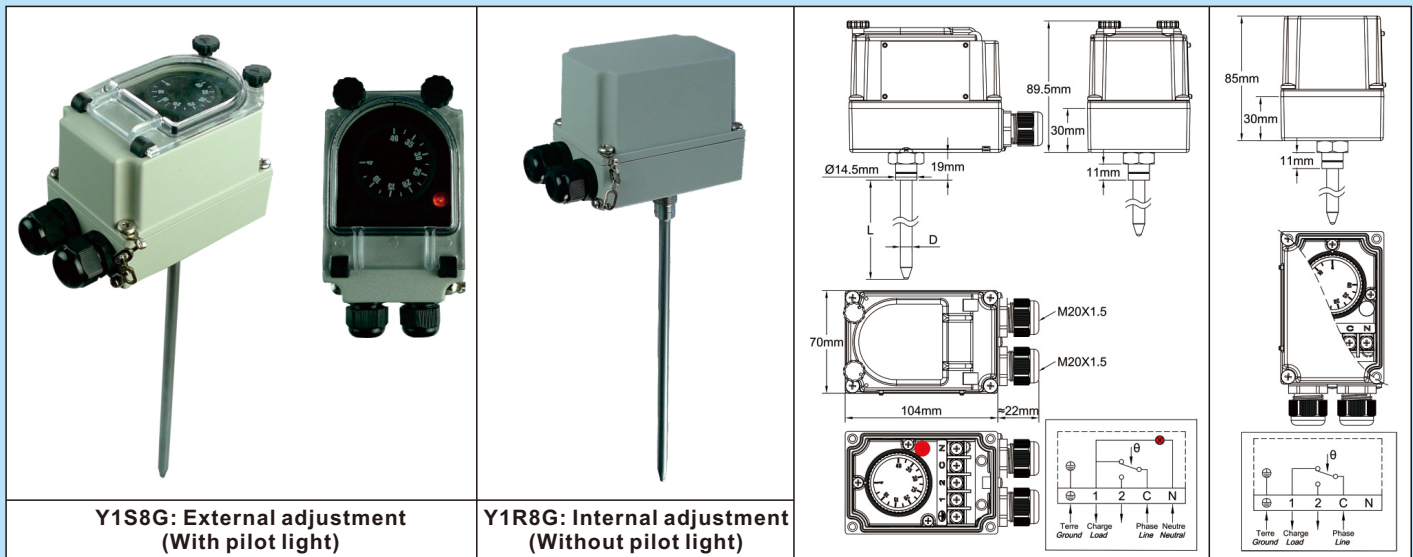


## Rod thermostats, temperature control

| Enclosure  | Type  | Operation   | Contact   | Measurement  | Ranges °C   | Models                           |
|------------|---|---|---|--|---|----------------------------------|
| IP65, IK10 | Control   | Mechanical  | SPDT  | Rod  |  | <b>Y1S8G<br/>&amp;<br/>Y1R8G</b> |
| Material   |  |  |  |  |   |                                  |
| Aluminum   |   |   |   |  |   |                                  |



### Applications

These **liquid expansion** rod thermostats can be installed inside pockets as immersion thermostats in pipelines and containers, and for monitoring temperature in air ducts, in usual industrial applications and environments. (Not suitable for hazardous areas).

-Internal adjustment is convenient for products that must not be frequently adjusted.

#### -Insensibility to strong vibrations

**Housing:** Aluminum, IP65, IK10. Grey RAL7032 epoxy painting. Stainless steel captive cover screws. Captive aluminum lid.

**Set point adjustment ranges:** -35+35°C (-30+95°F); -10+40°C (15-105°F); 4-40°C (40-105°F); 0-60°C (32-140°F); 0-90°C (32-195°F); 30-90°C (85-195°F); 30-110°C (85-230°F); 50-200°C (120-390°F); 50-300°C (120-570°F); 100-400°C (210-750°F); 100-500°C (210-930°F)

**Set point adjustment:** By °C printed knob. All types have an adjustable rotation limit system located inside the knob that allows reducing the set point adjustment span. Types with external adjustment have a transparent window. This device allows seeing the pilot light and the knob position. °F values are available as an option.

**Action:** Temperature control, On-Off action.

**Sensing element:** Liquid expansion rod. This rod has a non-temperature sensing zone named dead zone which allows thermal insulation crossing. An increased diameter under the thermostat head allows mounting pockets, coolers or brackets (See pockets in the accessories section)

**Electrical connections:** Inside, on screw terminal connection block.

**Earthing:** Internal and external screw terminal.

**Pilot light:** Allow to visualize thermostat contact output position. Standard for all models with transparent window. Non Standard and on special request only for models with plain aluminum cover.

**Cable input and output:** Two M20 cable glands, Black PA66.

**Identification:** Metallic identification label, riveted.

**Contact:** SPDT

**Electrical rating, resistive loads:**

-Open on temperature rise contact (C-1)

16A 250V, 50 ~60Hz: >100000 cycles,

20A 250V, 50 ~60Hz: ≥ 50000 cycles,

10A 400V, 50 ~60Hz: ≥ 50000 cycles.

-Close on temperature rise contact (C-2): 6A 250V 50 ~60Hz: >100000 cycles

**Electrical rating, inductive loads:**

-Open on temperature rise contact (C-1): 6A 250V, 50 ~60Hz: >100000 cycles

-Close on temperature rise contact (C-2): 0.6A 250V 50 ~60Hz: >100000 cycles

**Minimum storage temperature:** -35°C (-30°F)

**Maximum ambient temperature:** 60°C (140°F)

For more technical information ask 8G thermostat technical data sheet (catalog 1).

# Rod thermostats, temperature control

(P2)

## Main references\*

| Temperature range °C (°F) | Reference with external adjustment | Reference with internal adjustment | Rod length *(L, mm) | Rod diameter (D, mm) | Temperature sensing length (mm) | Differential°C (°F) | Max temperature on rod °C (°F) |
|---------------------------|------------------------------------|------------------------------------|---------------------|----------------------|---------------------------------|---------------------|--------------------------------|
| -35+35°C (-30+95°F)       | Y1S8G5035AO1023J                   | Y1R8G5035AO1023J                   | 230                 | 10                   | 140                             | 1,6±1°C (2,9±2°F)   | 60°C (140°F)                   |
| -35+35°C (-30+95°F)       | Y1S8G5035AO1030J                   | Y1R8G5035AO1030J                   | 300                 | 10                   | 140                             | 1,6±1°C (2,9±2°F)   | 60°C (140°F)                   |
| -10+40°C (15-105°F)       | Y1S8G0040AO1023J                   | Y1R8G0040AO1023J                   | 230                 | 10                   | 140                             | 1,5±1°C (2,7±2°F)   | 70°C (158°F)                   |
| -10+40°C (15-105°F)       | Y1S8G0040AO1030J                   | Y1R8G0040AO1030J                   | 300                 | 10                   | 140                             | 1,5±1°C (2,7±2°F)   | 70°C (158°F)                   |
| 4-40°C (40-105°F)         | Y1S8G4040AO1023J                   | Y1R8G4040AO1023J                   | 230                 | 10                   | 140                             | 1±0,5°C (1,8±1°F)   | 70°C (158°F)                   |
| 4-40°C (40-105°F)         | Y1S8G4040AO1030J                   | Y1R8G4040AO1030J                   | 300                 | 10                   | 140                             | 1±0,5°C (1,8±1°F)   | 70°C (158°F)                   |
| 4-40°C (40-105°F)         | Y1S8G4040AO1045J                   | Y1R8G4040AO1045J                   | 450                 | 10                   | 140                             | 1±0,5°C (1,8±1°F)   | 70°C (158°F)                   |
| 0-60°C (32-140°F)         | Y1S8G0060AO1023J                   | Y1R8G0060AO1023J                   | 230                 | 10                   | 87                              | 2.5±1°C (4,5±1,8°F) | 80°C (176°F)                   |
| 0-60°C (32-140°F)         | Y1S8G0060AO1030J                   | Y1R8G0060AO1030J                   | 300                 | 10                   | 87                              | 2.5±1°C (4,5±1,8°F) | 80°C (176°F)                   |
| 0-60°C (32-140°F)         | Y1S8G0060AO1045J                   | Y1R8G0060AO1045J                   | 450                 | 10                   | 87                              | 2.5±1°C (4,5±1,8°F) | 80°C (176°F)                   |
| 0-60°C (32-140°F)         | Y1S8G0060AO1060J                   | Y1R8G0060AO1060J                   | 600                 | 10                   | 87                              | 2.5±1°C (4,5±1,8°F) | 80°C (176°F)                   |
| 0-90°C (32-195°F)         | Y1S8G0090AO1023J                   | Y1R8G0090AO1023J                   | 230                 | 10                   | 87                              | 2.5±1°C (4,5±1,8°F) | 120°C (250°F)                  |
| 0-90°C (32-195°F)         | Y1S8G0090AO1030J                   | Y1R8G0090AO1030J                   | 300                 | 10                   | 87                              | 2.5±1°C (4,5±1,8°F) | 120°C (250°F)                  |
| 0-90°C (32-195°F)         | Y1S8G0090AO1045J                   | Y1R8G0090AO1045J                   | 450                 | 10                   | 87                              | 2.5±1°C (4,5±1,8°F) | 120°C (250°F)                  |
| 0-90°C (32-195°F)         | Y1S8G0090AO1060J                   | Y1R8G0090AO1060J                   | 600                 | 10                   | 87                              | 2.5±1°C (4,5±1,8°F) | 120°C (250°F)                  |
| 30-90°C (85-195°F)        | Y1S8G3090AO1023J                   | Y1R8G3090AO1023J                   | 230                 | 10                   | 87                              | 2.5±1°C (4,5±1,8°F) | 120°C (250°F)                  |
| 30-90°C (85-195°F)        | Y1S8G3090AO1030J                   | Y1R8G3090AO1030J                   | 300                 | 10                   | 87                              | 2.5±1°C (4,5±1,8°F) | 120°C (250°F)                  |
| 30-90°C (85-195°F)        | Y1S8G3090AO1045J                   | Y1R8G3090AO1045J                   | 450                 | 10                   | 87                              | 2.5±1°C (4,5±1,8°F) | 120°C (250°F)                  |
| 30-90°C (85-195°F)        | Y1S8G3090AO1060J                   | Y1R8G3090AO1060J                   | 600                 | 10                   | 87                              | 2.5±1°C (4,5±1,8°F) | 120°C (250°F)                  |
| 30-110°C (85-230°F)       | Y1S8G3110AO1023J                   | Y1R8G3110AO1023J                   | 230                 | 10                   | 83                              | 2.5±1°C (4,5±1,8°F) | 140°C (284°F)                  |
| 30-110°C (85-230°F)       | Y1S8G3110AO1030J                   | Y1R8G3110AO1030J                   | 300                 | 10                   | 83                              | 2.5±1°C (4,5±1,8°F) | 140°C (284°F)                  |
| 30-110°C (85-230°F)       | Y1S8G3110AO1045J                   | Y1R8G3110AO1045J                   | 450                 | 10                   | 83                              | 2.5±1°C (4,5±1,8°F) | 140°C (284°F)                  |
| 30-110°C (85-230°F)       | Y1S8G3110AO1060J                   | Y1R8G3110AO1060J                   | 600                 | 10                   | 83                              | 2.5±1°C (4,5±1,8°F) | 140°C (284°F)                  |
| 50-200°C (120-390°F)      | Y1S8G5200AO1023J                   | Y1R8G5200AO1023J                   | 230                 | 10                   | 59                              | 4±2°C (7±3,6°F)     | 230°C (446°F)                  |
| 50-200°C (120-390°F)      | Y1S8G5200AO1030J                   | Y1R8G5200AO1030J                   | 300                 | 10                   | 59                              | 4±2°C (7±3,6°F)     | 230°C (446°F)                  |
| 50-200°C (120-390°F)      | Y1S8G5200AO1045J                   | Y1R8G5200AO1045J                   | 450                 | 10                   | 59                              | 4±2°C (7±3,6°F)     | 230°C (446°F)                  |
| 50-200°C (120-390°F)      | Y1S8G5200AO1060J                   | Y1R8G5200AO1060J                   | 600                 | 10                   | 59                              | 4±2°C (7±3,6°F)     | 230°C (446°F)                  |
| 50-300°C (120-570°F)      | Y1S8G5300AO0823J                   | Y1R8G5300AO0823J                   | 230                 | 8                    | 165                             | 10°C±2°C (18±3,6°F) | 330°C (626°F)                  |
| 50-300°C (120-570°F)      | Y1S8G5300AO0830J                   | Y1R8G5300AO0830J                   | 300                 | 8                    | 165                             | 10°C±2°C (18±3,6°F) | 330°C (626°F)                  |
| 50-300°C (120-570°F)      | Y1S8G5300AO0845J                   | Y1R8G5300AO0845J                   | 450                 | 8                    | 165                             | 10°C±2°C (18±3,6°F) | 330°C (626°F)                  |
| 50-300°C (120-570°F)      | Y1S8G5300AO0860J                   | Y1R8G5300AO0860J                   | 600                 | 8                    | 165                             | 10°C±2°C (18±3,6°F) | 330°C (626°F)                  |
| 100-400°C (210-750°F)     | Y1S8GA400AO0823J                   | Y1R8GA400AO0823J                   | 230                 | 8                    | 165                             | 10°C±2°C (18±3,6°F) | 430°C (800°F)                  |
| 100-400°C (210-750°F)     | Y1S8GA400AO0830J                   | Y1R8GA400AO0830J                   | 300                 | 8                    | 165                             | 10°C±2°C (18±3,6°F) | 430°C (800°F)                  |
| 100-400°C (210-750°F)     | Y1S8GA400AO0845J                   | Y1R8GA400AO0845J                   | 450                 | 8                    | 165                             | 10°C±2°C (18±3,6°F) | 430°C (800°F)                  |
| 100-400°C (210-750°F)     | Y1S8GA400AO0860J                   | Y1R8GA400AO0860J                   | 600                 | 8                    | 165                             | 10°C±2°C (18±3,6°F) | 430°C (800°F)                  |
| 100-500°C (210-930°F)     | Y1S8GA500AN0830J                   | Y1R8GA500AN0830J                   | 300                 | 8                    | 250                             | 10°C±2°C (18±3,6°F) | 550°C (1000°F)                 |
| 100-500°C (210-930°F)     | Y1S8GA500AN0845J                   | Y1R8GA500AN0845J                   | 450                 | 8                    | 250                             | 10°C±2°C (18±3,6°F) | 550°C (1000°F)                 |
| 100-500°C (210-930°F)     | Y1S8GA500AN0860J                   | Y1R8GA500AN0860J                   | 600                 | 8                    | 250                             | 10°C±2°C (18±3,6°F) | 550°C (1000°F)                 |

\*F printing: replace last character (J) by K

\*Above 200°C we recommend to use a rod cooler reference 66RF07015 or 66RF0701F12 between the rod and the enclosure (see accessories). Caution: This cooler reduces the usable rod length by 70mm

## Knob printings

| °C Printing |          |          |          |           |           |
|-------------|----------|----------|----------|-----------|-----------|
| 0-10        | -35+35°C | -10+40°C | 4-40°C   | 0-60°C    | 0-90°C    |
|             |          |          |          |           |           |
| 30-90°C     | 30-110°C | 50-200°C | 50-300°C | 100-400°C | 100-500°C |
|             |          |          |          |           |           |

| °F Printing |          |           |           |           |           |
|-------------|----------|-----------|-----------|-----------|-----------|
| 0-10        | -30+95°F | 15-105°F  | 40-105°F  | 32-140°F  | 32-195°F  |
|             |          |           |           |           |           |
| 85-195°F    | 85-230°F | 120-390°F | 120-570°F | 210-750°F | 210-930°F |
|             |          |           |           |           |           |

Because of permanent improvement of our products, drawings, descriptions, features used on these data sheets are for guidance only and can be modified without prior advice

